



CABLE 067 RF: RF CABLE ASSEMBLY, I-PEX MHF + RP TNC BULKHEAD WITH O-RING + MULTIPLE CABLE SIZES

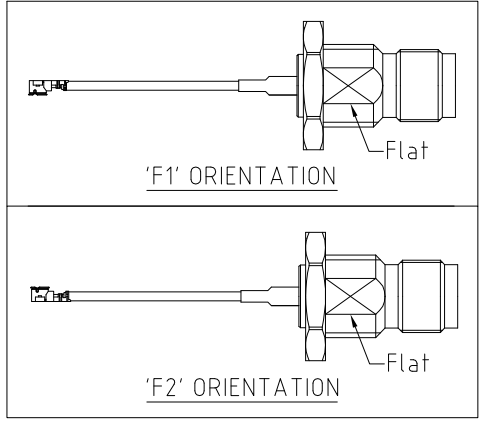
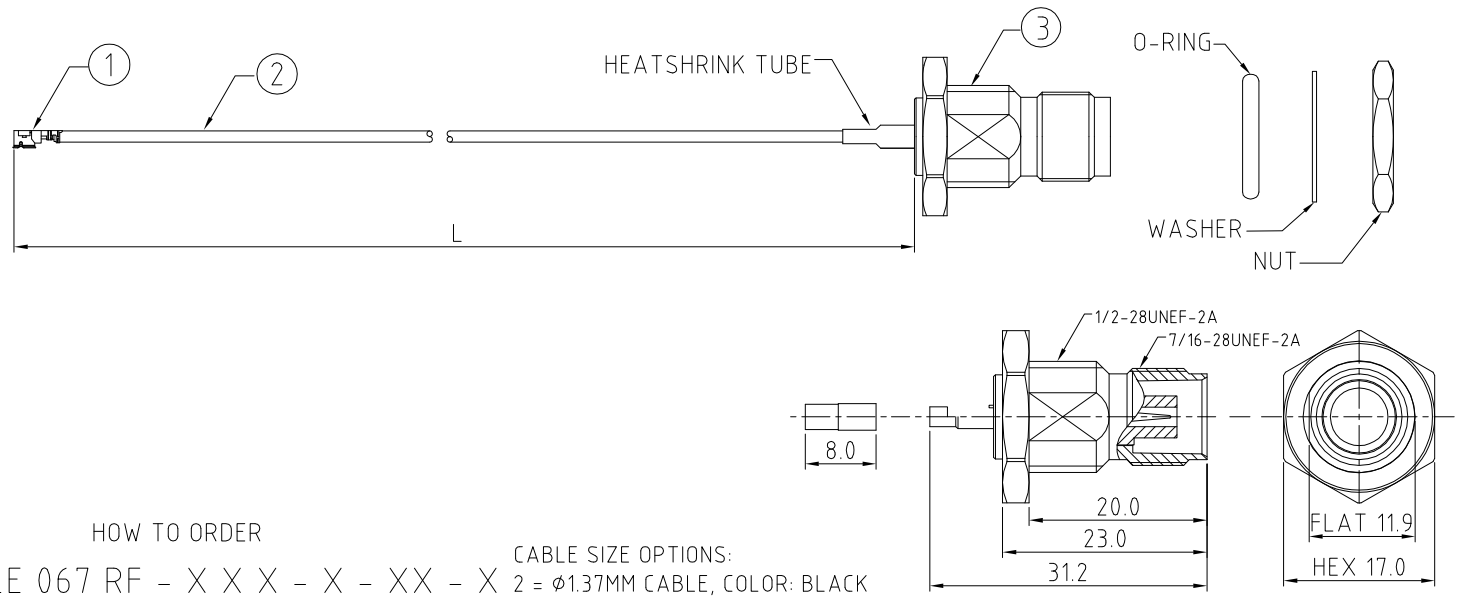
SPECIFICATIONS :

1. I-PEX MHF PLUG :
 FOR ϕ 1.37MM CABLE: 20351-112R-37
 FOR ϕ 1.48MM CABLE: 20351-112R-37
 FOR RG178 CABLE: 20278-112R-18
2. COAXIAL CABLE. SEE CABLE SIZE OPTIONS FOR DETAIL.
3. RP TNC BULKHEAD JACK WITH ORING (C26CDWS178003C)

USAGE PRECAUTIONS: CABLES USING 'MICRO' COAX ARE DELICATE:
 (i) HANDLE WITH CARE.
 (ii) DO NOT TWIST; APPLY EXCESSIVE FORCES OR SHARP BENDS TO THE CABLE. DO NOT FORCEFULLY DEFORM WIRES.
 (iii) CONSULT CONNECTOR MANUFACTURER'S DATASHEETS FOR DETAILED NOTES ON HANDLING INSTRUCTIONS.

NOTES:

1. THE ORIENTATION OF CONNECTORS ON DRAWING IS FOR REFERENCE ONLY, IF THE ORDER IS LEFT BLANK THE CONNECTOR WILL NOT HAVE FIXED ORIENTATION.
2. FIXED ORIENTATION IS SUGGESTED FOR CABLE LENGTH 25MM TO 100MM. PLEASE SPECIFY THE FIXED ORIENTATIONS FROM THE ORDER CODE (F1, F2, ETC)
3. CONTACT GRAD CONN IF THE ORIENTATION YOU REQUIRE IS NOT SHOWN.
4. WORKING FREQUENCY RANGE: DC-3GHz



HOW TO ORDER
 CABLE 067 RF - XXX - X - XX - X

"L" LENGTH IN MM
 eg: 100MM = 100
 (MIN. 025-MAX.400
 STANDARD = 100, 150, 200)
 Tolerance: <50mm : \pm 2mm.
 51-200mm : \pm 5mm.
 201-400mm : \pm 7mm.

CABLE SIZE OPTIONS:
 2 = ϕ 1.37MM CABLE, COLOR: BLACK
 3 = ϕ 1.48MM CABLE, COLOR: BLACK
 4 = RG178 CABLE, COLOR: BROWN

BLANK = DOES NOT HAVE A FIXED ORIENTATION
 F1 = I-PEX CONNECTION DOWN (L=25-220MM)
 F2 = I-PEX CONNECTION UP (L=25-220MM)
 (SEE NOTES 1, 2, 3 AND DIAGRAMS FOR MORE INFORMATION)

WASHER AND NUT OPTIONS:
 BLANK = SEPERATELY PACKED (STANDARD)
 A = ASSEMBLED WITH CONNECTOR

REV. DATE & DRN
 10 16/02/09 - NYW RELEASE
 11 19/02/09 - NYW
 ADD RP TNC DETAIL DRAWING
 12 22/03/10 - NYW
 ADD MULTIPLE CABLE SIZES.
 ADD ORIENTATION OPTIONS.
 ADD NOTES 2 & 3.
 13 20/08/10 - NYW
 CHANGE WORKING FREQUENCY
 14 18/09/13 - NYW
 AMEND PEX RGT8 P/N
 15 14/07/14 - NYW
 ADD CABLE 4 (1.37MM)
 & 11.35MM OPTIONS.

Scale: NTS	THIRD ANGLE	Unstated X .XX .XXX ANGLES	Tolerances: \pm 0.2 \pm 0.1 \pm 0.05 \pm 5
Drawn: NYW			
App'd: XXX	Title: CABLE ASSEMBLY	Material: SEE NOTE	
Date: 14 JUL '14	Revision: 15	NOT TO SCALE	
		Unit: mm	

www.gradconn.com

THIS DRAWING IS CONFIDENTIAL AND MUST NOT BE COPIED OR DISCLOSED WITHOUT WRITTEN CONSENT

Type: Cable 067 RF
CABLE 067 RF
Drawing Number:
Sheet 1 of 1
Drawing © E and O E